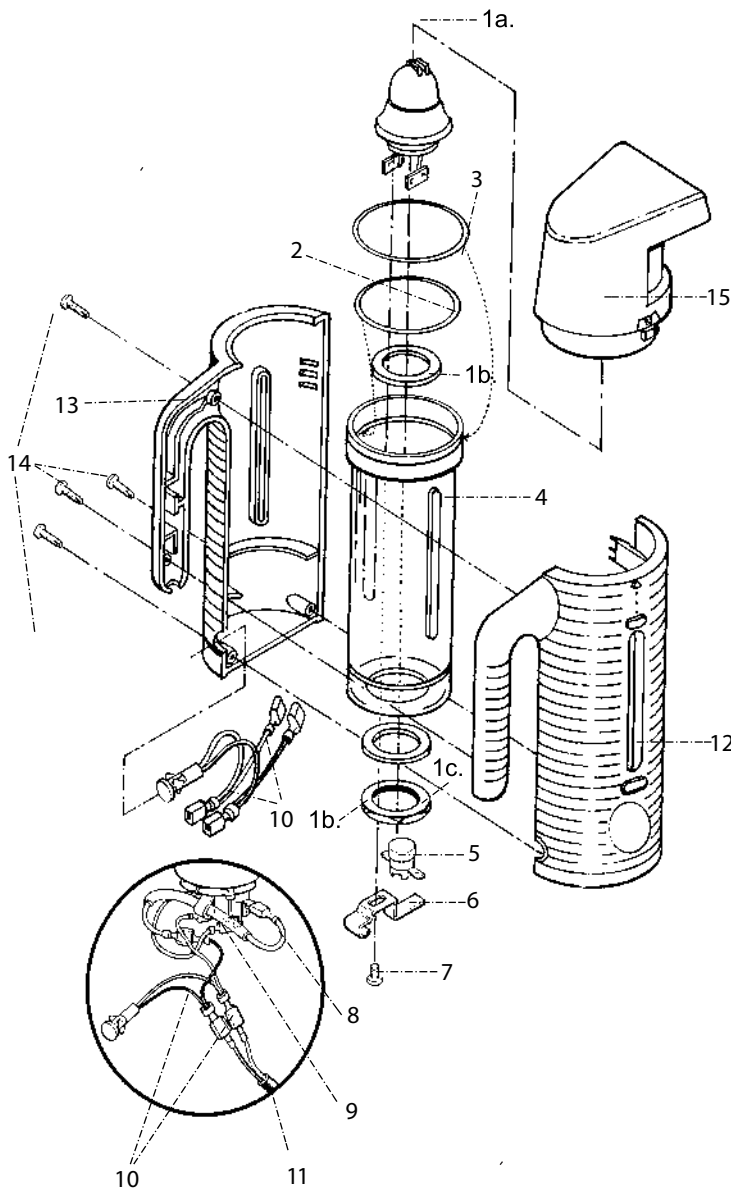


ESTEAM Parts Diagram

Should you ever need replacement parts for your Jiffy Steamer, you may purchase them separately. Use this convenient diagram and parts list to identify any part you may need. Please reference the Jiffy Steamer part number, model number and serial number when ordering.



Key #	Part Description
1a	ESTEAM 120 Volt 600 Watt Heater with Gaskets and Nut ESTEAM 230 Volt 600 Watt Heater with Gaskets and Nut Gasket for ESTEAM Heater (Set of Two)
1b	
1c	Nut for ESTEAM Heater
2	Red Inside O-Ring
3	Black Outside O-Ring
4	ESTEAM Water Tank
5	ESTEAM 36 T-L263 Thermostat
6	Fusible Link Clamp
7	Fusible Link Clamp with Screw
8	Fusible Link Wire with Insulated Lug (Orange)
9	Red Wire with Insulated Lug
10	Pilot Light with Wiring Harness for 120 Volt Electrical Systems Pilot Light with Wiring Harness for 230 Volt Electrical Systems
11	Electrical Systems Cord Set (18/2 gauge)
12	Right Case Half
13	Left Case Half
14	Four Screws for ESTEAM Outer Case Halves
15	Complete Steam Cap with Face Plate

Jiffy Steamer Company

jiffysteamer.co.za

sales@jiffysteamer.co.za

+27 (11) 809-4000

+27 (11) 809-4005

African Sales Company Building,
225 2nd Street,
Corner 16th Road,
Halfway House,
Midrand,
Johannesburg,
South Africa,
1685